



RFI 2 REVIEW LETTER

Date: 05DEC24

To: Andrea Baranyk of Northeast Collaborative Architects

Re: East Providence Crescent Park

Owner: East Providence

Reviewed by:

AGE

André Gill, PE

Derek Gaudino Staff Engineer 2

Review Status:

RFI 2

Note Fire suppression sub

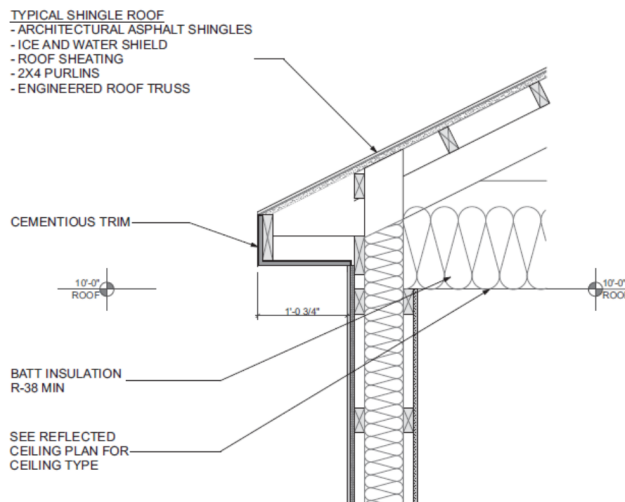
RFI 2

Note from Fire Suppression sub

The attic area above is requiring a dry system. My question is where we are going to run the wet system feeding the areas below the finished ceilings. If we run, it above the insulation the system will freeze . This is based on my review of drawing. A-301 in the Building Sections. Regarding the attic. Please advise how we are to install piping to avoid freezing.

Review:

The piping should be run above the ceiling and below the insulation with tenting material enveloping the piping and separating it from the insulation.

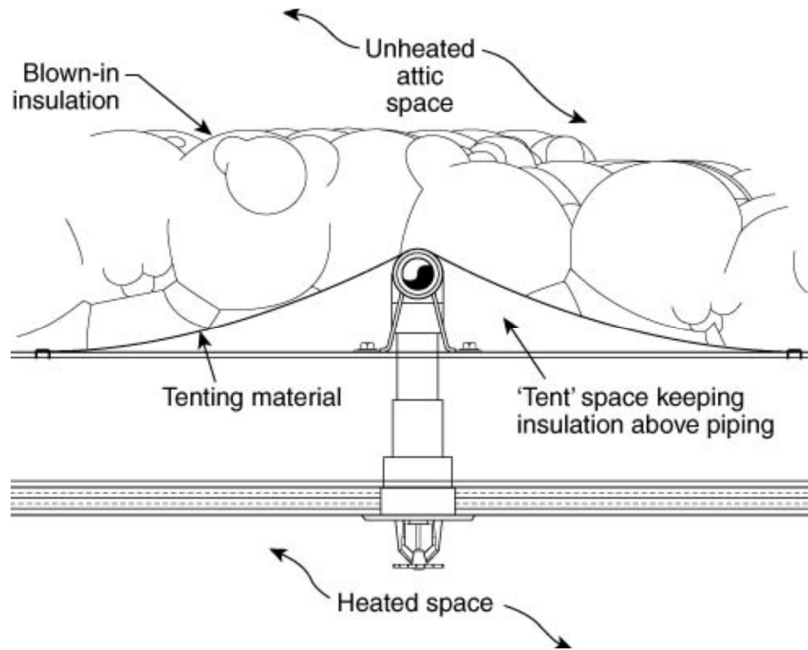


Andre Gill Engineering, LLC	Mechanical Electrical Plumbing, Fire Protection Engineering and Design	Licensed in CA, DC, FL, KY, MA, ME, RI, WA & Model Law Engineer
Tel: (401) 441-3414	Email: andregill@andregillengineering.com	Web: www.andregillengineering.com



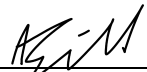
File: NCA Customer/ Project: EAST PROVIDENCE CRESCENT PARK/2408 Date:05DEC24

Provide tenting material above the piping in the attic space similar to the following NFPA diagram, ensure insulation is kept above piping.



Comments not related to RFI review:

N/a



 (Signature)

André Gill, PE/ President

 (Printed Name/Title)

05DEC24

 (Date)

Andre Gill Engineering, LLC	Mechanical Electrical Plumbing, Fire Protection Engineering and Design	Licensed in CA, DC, FL, KY, MA, ME, RI, WA & Model Law Engineer
Tel: (401) 441-3414	Email: andregill@andregillengineering.com	Web: www.andregillengineering.com