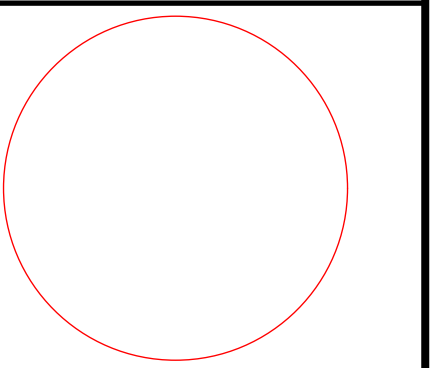


**CRESCENT PARK
NEW BUILDING**
CITY OF EAST PROVIDENCE
684 & 700 BULLOCKS POINT AVENUE
RIVERSIDE, RI 02915

REVISIONS:



**WALL
SECTIONS**

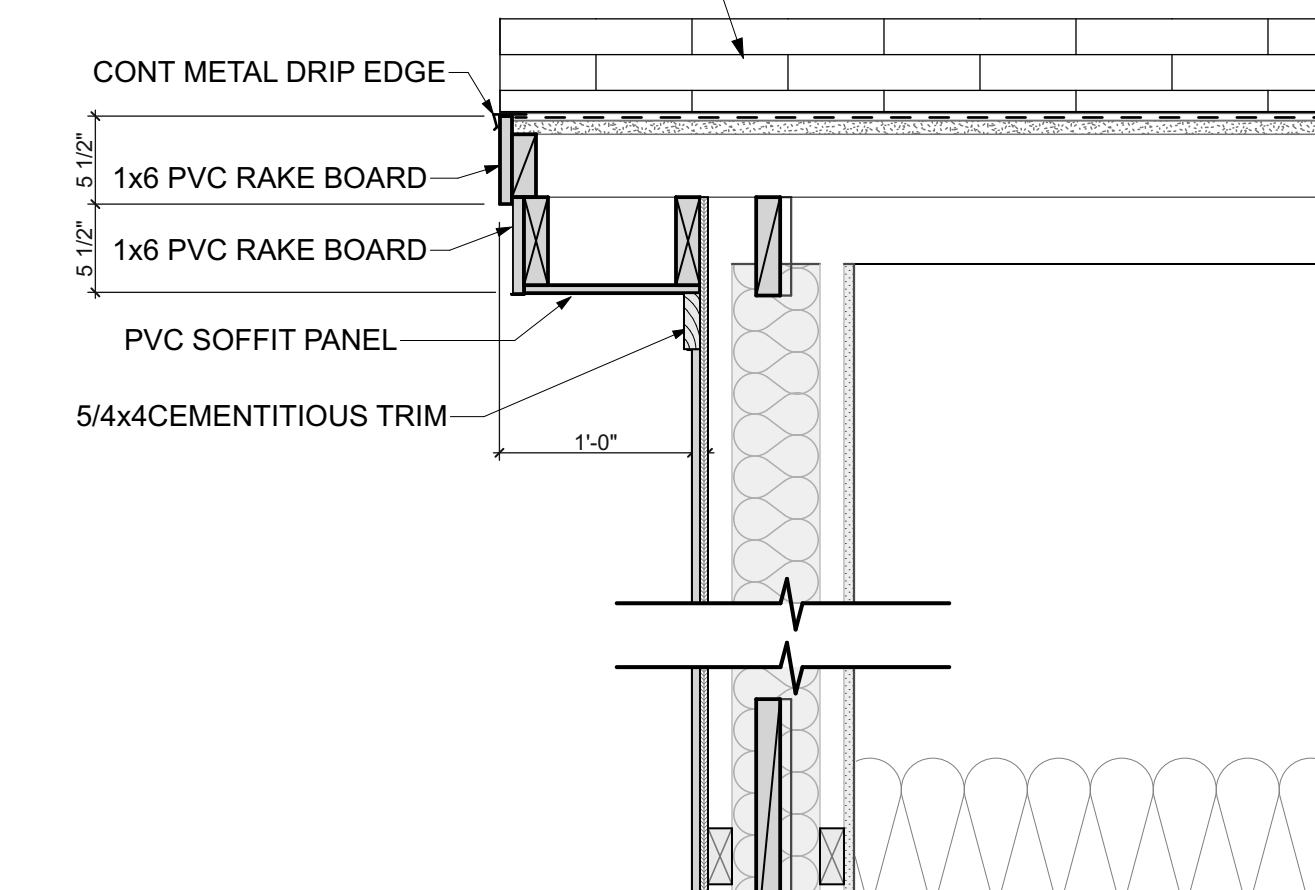
DATE: 10/31/24

NCA JOB NO.: 23100

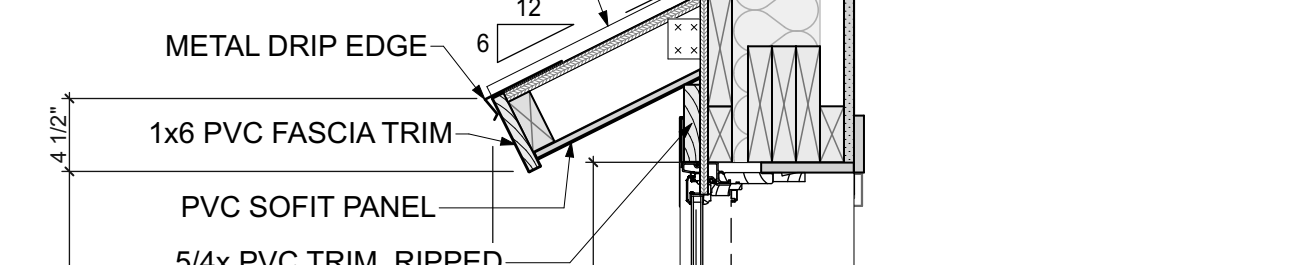
DRAWING NO.:

A-351

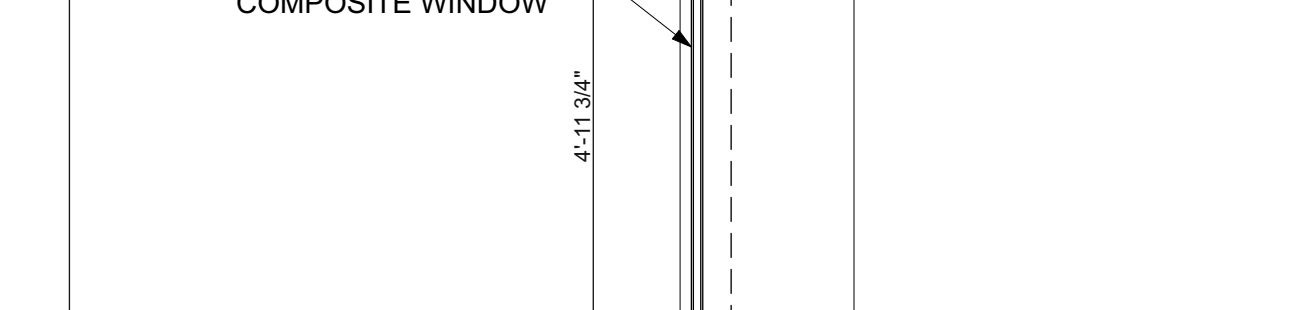
TYPICAL SHINGLE ROOF
- ARCHITECTURAL ASPHALT SHINGLES
- ICE AND WATER SHIELD
- ROOF SHEATHING
- 2X4 PURLINS
- ENGINEERED ROOF TRUSS



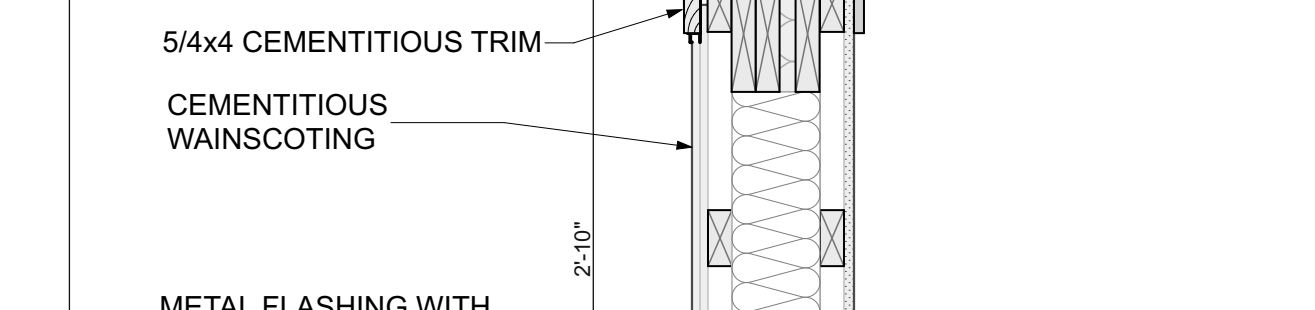
TYPICAL SHINGLE ROOF
- ARCHITECTURAL ASPHALT SHINGLES
- ICE AND WATER SHIELD
- ROOF SHEATHING
- 2X4 PURLINS
- ENGINEERED ROOF TRUSS



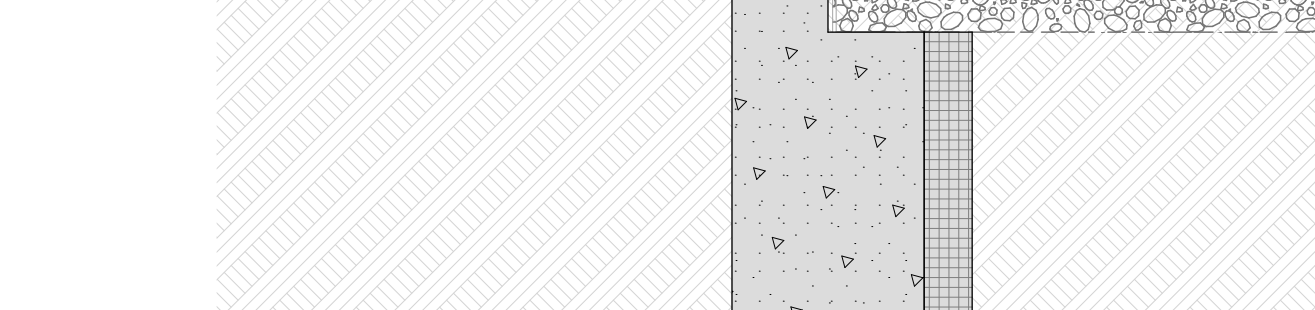
AWNING ROOF
- METAL ROOFING
- ROOFING UNDERLAYMENT
- 3/4" SEATHING
- 2X WOOD FRAMING



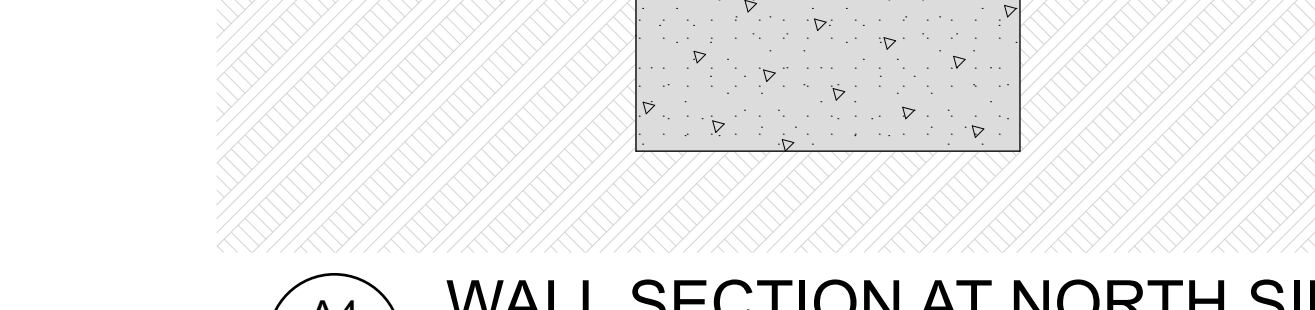
TYPICAL WOOD FRAMED WALL
- CEMENTIOUS LAPBOARD SIDING
- DRAINAGE PLAIN
- AIR AND VAPOR BARRIER
- PLYWOOD SHEATHING
- 2X4 HORIZONTAL WOOD PURLINS
- BUILT UP 2X6 POST FRAMING
- BATT INSULATION BETWEEN POSTS
R-20 MINIMUM
- 2X4 HORIZONTAL WOOD PURLINS
- VAPOR RETARDER
- 5/8 GYPSUM BOARD



TYPICAL WOOD FRAMED WALL
- CEMENTIOUS LAPBOARD SIDING
- DRAINAGE PLAIN
- AIR AND VAPOR BARRIER
- PLYWOOD SHEATHING
- 2X4 HORIZONTAL WOOD PURLINS
- BUILT UP 2X6 POST FRAMING
- BATT INSULATION BETWEEN POSTS
R-20 MINIMUM
- 2X4 HORIZONTAL WOOD PURLINS
- VAPOR RETARDER
- 5/8 GYPSUM BOARD

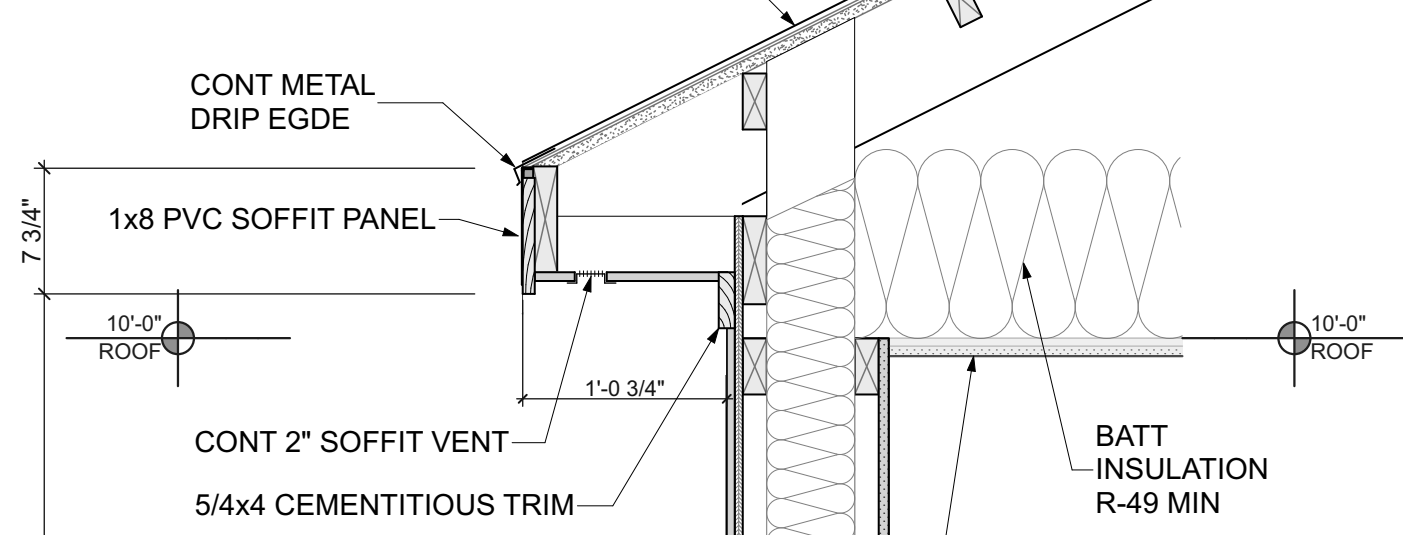


TYPICAL WOOD FRAMED WALL
- CEMENTIOUS LAPBOARD SIDING
- DRAINAGE PLAIN
- AIR AND VAPOR BARRIER
- PLYWOOD SHEATHING
- 2X4 HORIZONTAL WOOD PURLINS
- BUILT UP 2X6 POST FRAMING
- BATT INSULATION BETWEEN POSTS
R-20 MINIMUM
- 2X4 HORIZONTAL WOOD PURLINS
- VAPOR RETARDER
- 5/8 GYPSUM BOARD

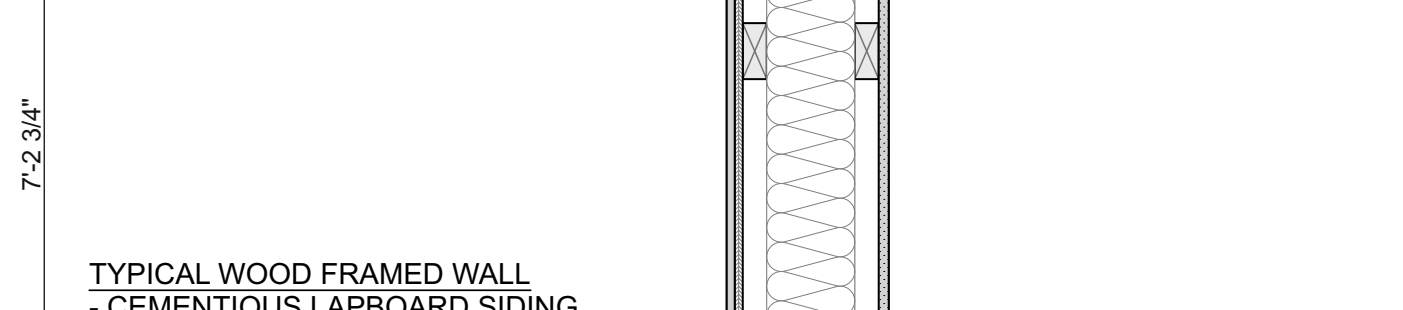


TYPICAL WOOD FRAMED WALL
- CEMENTIOUS LAPBOARD SIDING
- DRAINAGE PLAIN
- AIR AND VAPOR BARRIER
- PLYWOOD SHEATHING
- 2X4 HORIZONTAL WOOD PURLINS
- BUILT UP 2X6 POST FRAMING
- BATT INSULATION BETWEEN POSTS
R-20 MINIMUM
- 2X4 HORIZONTAL WOOD PURLINS
- VAPOR RETARDER
- 5/8 GYPSUM BOARD

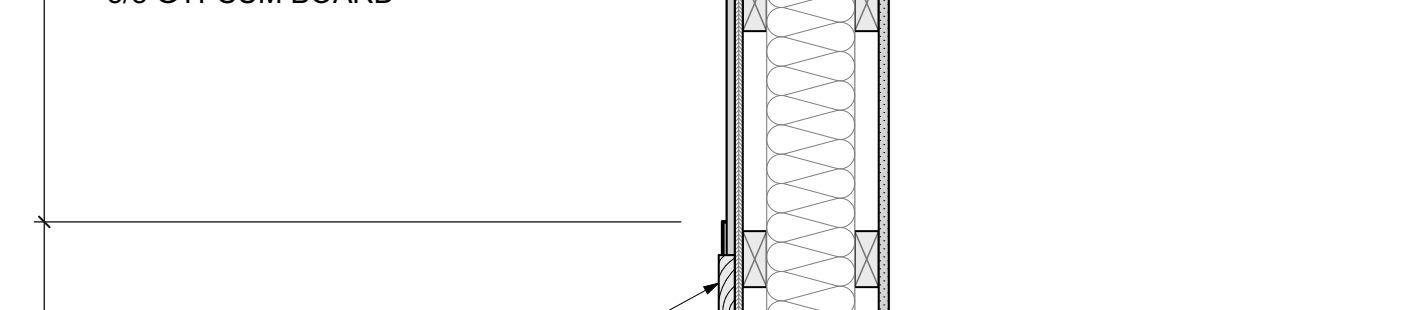
TYPICAL SHINGLE ROOF
- ARCHITECTURAL ASPHALT SHINGLES
- ICE AND WATER SHIELD
- ROOF SHEATHING
- 2X4 PURLINS
- ENGINEERED ROOF TRUSS



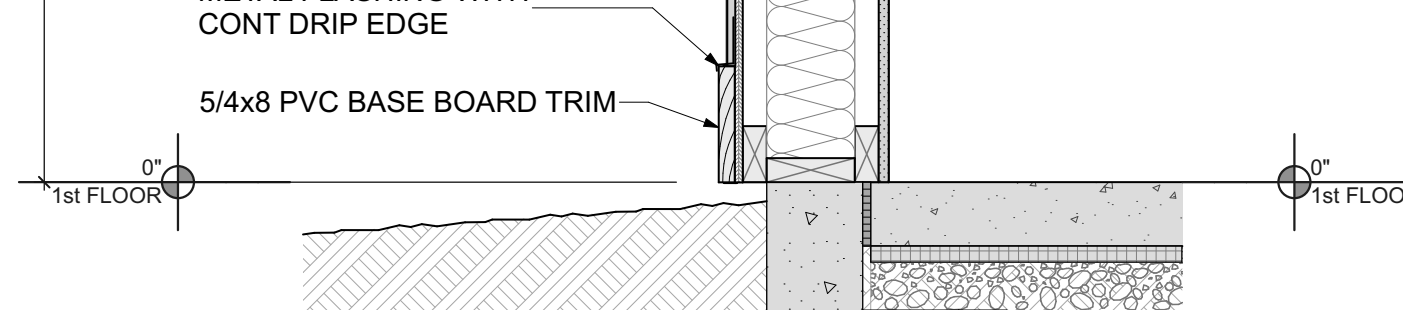
TYPICAL SHINGLE ROOF
- ARCHITECTURAL ASPHALT SHINGLES
- ICE AND WATER SHIELD
- ROOF SHEATHING
- 2X4 PURLINS
- ENGINEERED ROOF TRUSS



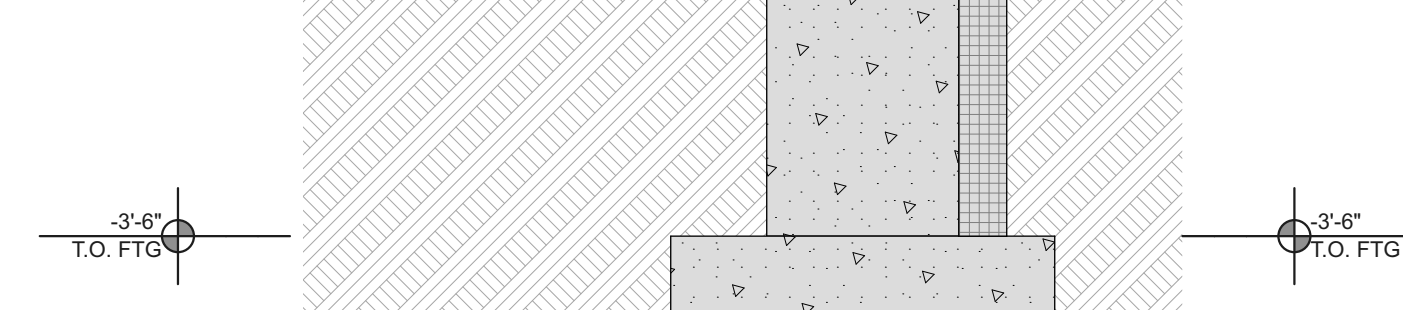
TYPICAL SHINGLE ROOF
- ARCHITECTURAL ASPHALT SHINGLES
- ICE AND WATER SHIELD
- ROOF SHEATHING
- 2X4 PURLINS
- ENGINEERED ROOF TRUSS



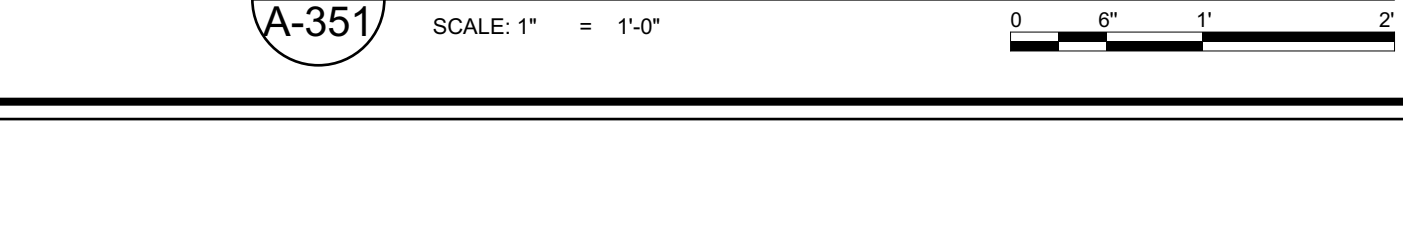
TYPICAL SHINGLE ROOF
- ARCHITECTURAL ASPHALT SHINGLES
- ICE AND WATER SHIELD
- ROOF SHEATHING
- 2X4 PURLINS
- ENGINEERED ROOF TRUSS



TYPICAL SHINGLE ROOF
- ARCHITECTURAL ASPHALT SHINGLES
- ICE AND WATER SHIELD
- ROOF SHEATHING
- 2X4 PURLINS
- ENGINEERED ROOF TRUSS



TYPICAL SHINGLE ROOF
- ARCHITECTURAL ASPHALT SHINGLES
- ICE AND WATER SHIELD
- ROOF SHEATHING
- 2X4 PURLINS
- ENGINEERED ROOF TRUSS

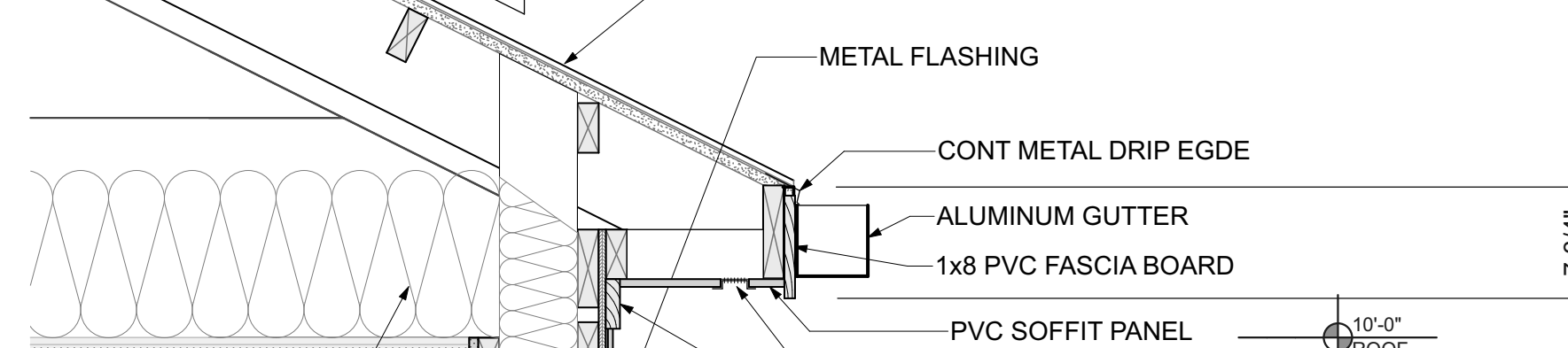


A1
A-351 TYPICAL WALL SECTION

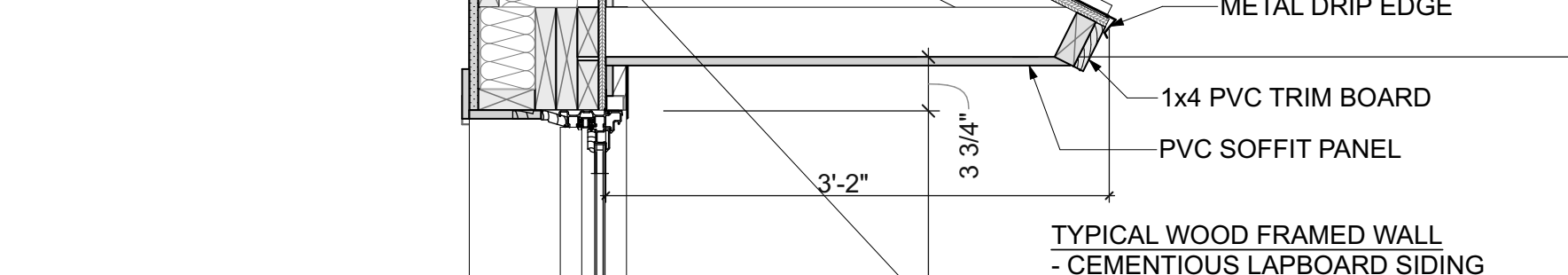
SCALE: 1" = 1'-0"



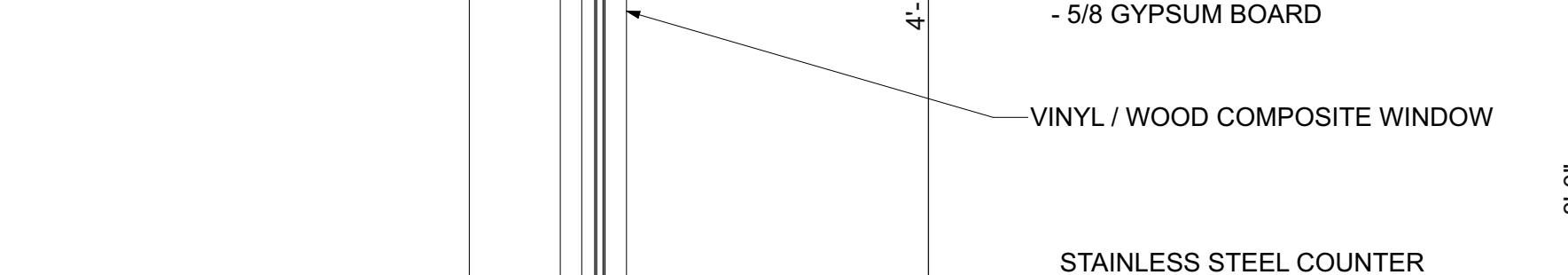
TYPICAL SHINGLE ROOF
- ARCHITECTURAL ASPHALT SHINGLES
- ICE AND WATER SHIELD
- ROOF SHEATHING
- 2X4 PURLINS
- ENGINEERED ROOF TRUSS



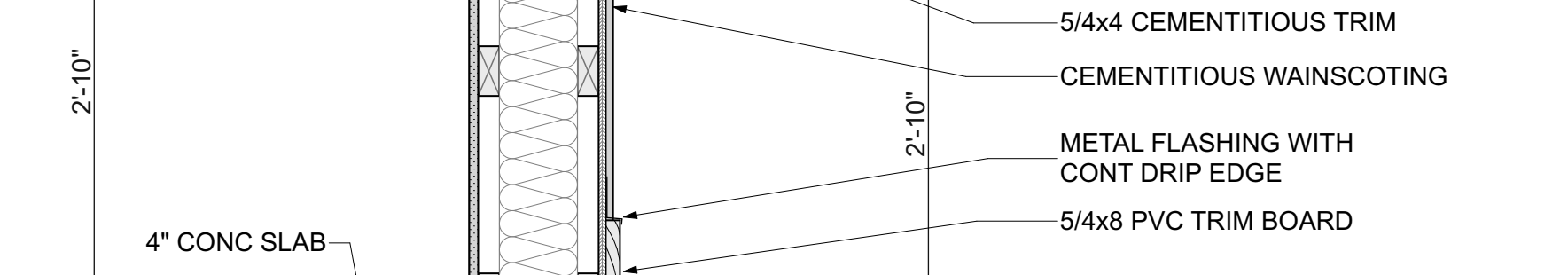
TYPICAL SHINGLE ROOF
- ARCHITECTURAL ASPHALT SHINGLES
- ICE AND WATER SHIELD
- ROOF SHEATHING
- 2X4 PURLINS
- ENGINEERED ROOF TRUSS



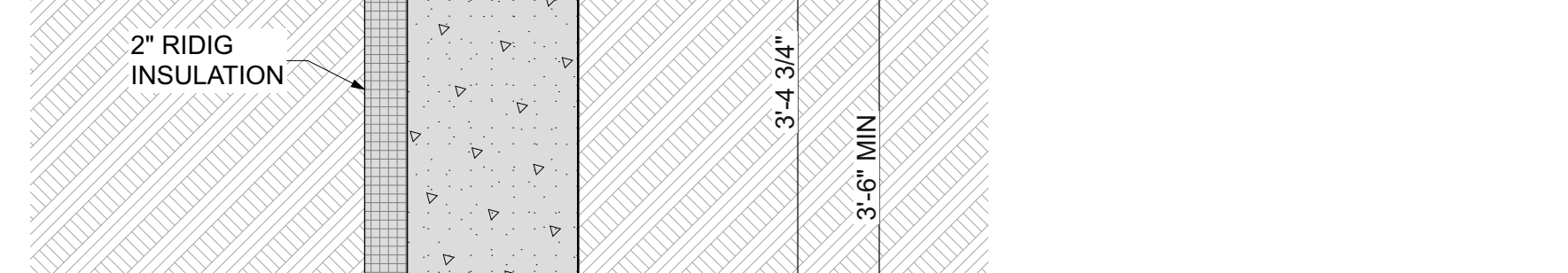
TYPICAL SHINGLE ROOF
- ARCHITECTURAL ASPHALT SHINGLES
- ICE AND WATER SHIELD
- ROOF SHEATHING
- 2X4 PURLINS
- ENGINEERED ROOF TRUSS



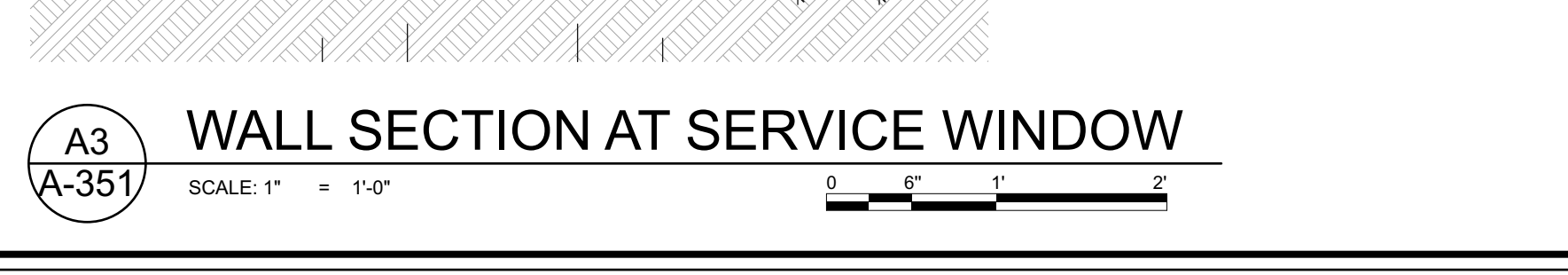
TYPICAL SHINGLE ROOF
- ARCHITECTURAL ASPHALT SHINGLES
- ICE AND WATER SHIELD
- ROOF SHEATHING
- 2X4 PURLINS
- ENGINEERED ROOF TRUSS



TYPICAL SHINGLE ROOF
- ARCHITECTURAL ASPHALT SHINGLES
- ICE AND WATER SHIELD
- ROOF SHEATHING
- 2X4 PURLINS
- ENGINEERED ROOF TRUSS



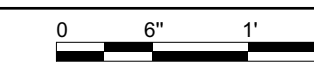
TYPICAL SHINGLE ROOF
- ARCHITECTURAL ASPHALT SHINGLES
- ICE AND WATER SHIELD
- ROOF SHEATHING
- 2X4 PURLINS
- ENGINEERED ROOF TRUSS



TYPICAL SHINGLE ROOF
- ARCHITECTURAL ASPHALT SHINGLES
- ICE AND WATER SHIELD
- ROOF SHEATHING
- 2X4 PURLINS
- ENGINEERED ROOF TRUSS

A3
A-351 WALL SECTION AT SERVICE WINDOW

SCALE: 1" = 1'-0"



A4
A-351 WALL SECTION AT NORTH SIDE

SCALE: 1" = 1'-0"

